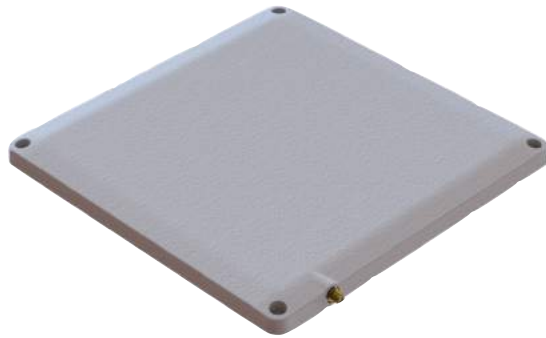


TSA5010

SlimLine RAIN (UHF) RFID ANTENNA



The Techsigno TSA5010 industry leading ultra-low profile design is in a compact 250 mm / approx.10 in. square footprint. IP67 rated for permanent outdoor use and built to Times-7's high standard for quality and robustness, the circularly polarized A5010 creates a new benchmark for multi-purpose UHF RFID antennas.

The TSA5010 very suitable for customer facing environments, its are ultra-high frequency (860-960Mhz) RFID antennas that are connected to the reader via a coaxial cable. The housing is made of high strength engineering plastic with high degree of protection.

Typical Applications

Medical & Pharmaceutical

The TSA5010 can operate at temperatures as low as 0°. High-value pharmaceutical assets can be tracked in fridges and freezers using the TSA5010 antenna. The slim design maximizes the usable space inside of a refrigerator. The antenna can handle general purpose cleaning agents and is water resistant. The white colored TSA5010 antenna is suitable for hospitals, medical laboratories, research industries and pharma labs.



Retail

The TSA5010 can easily be deployed in space constrained environments such as retail. With its superb aesthetics and compact design, the A5010 antenna blends well into the retail back drop.



Warehousing

The TSA5010 can be deployed in different warehouse shelves and environments. With its superb aesthetics and compact design, the A5010 antenna blends well into the variety of different techniques warehouses for different industries.



TSA5010

Specifications

Physical Characteristics		
Specifications	Working Frequency	865-868MHz / 902-928MHz
	Polarization	RHCP (Right Hand Circular Polarization)
	Far Filed Gain	8.5dBic
	Far Filed Gain 3dB beam width (*)	68° in both planes
	VSWR	1.4 Typical
	Front to Back	-10dB
	Maximum Power	3W
	Axial Ratio	2dB typical
	Input Impedance	50Ω
	Antistatic Protection	YES DC Grounded
Physical Parameters	Connector	SMA Female side connector
	Dimension	Flush Mount: 250 mm x 250 mm x 14 mm Vesa Mount: 250mm x 250mm x 30mm
	Weight	0.57Kg
	Fixed Type	Flush or VESA mount
	Housing Material	UV-Resistant ABS
Enviroments	Shell Color	White
	Operating Temperature	-20 °C +65 °C
	Storage Temperature	-40 °C +85 °C
	IP Protection Grade	IP67

Enviromental Test				
Test	Standard	Duration	Temperature	Notes
Thermal Shock Operating		1h	-40° to +70°	3 cycles
Humidity		72h	+85° C RH	
Dust Resistance	IEC 60529	8h		With vacuum
Solar Radiation		4 days		340nm
Vibration	MIL-STD-810G	1h * 3 Axes		
Shock Half Sine	MIL-STS-810G			10G / 11ms, 5shocks x 6 directions
Shock-Drop	MIL-STS-810G			26 drops @ -48°
Salt Fog	MIL-STD-810G	24 Hrs in / 24h Out		2 cycles

Mounting Options

The TSA5010 is designed to support either flush or VESA mount. To accommodate both approaches, versions with either flush or studded backplates are supported.

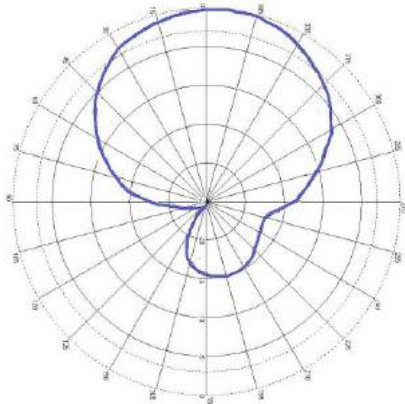
Flush mounting can be accommodated by attaching via screws or bolts through the corner holes in the housing or by using double sided industrial tape on the backplate.

The studs are on 100 mm spacing which will support standard VESA brackets available from a wide range of supplier

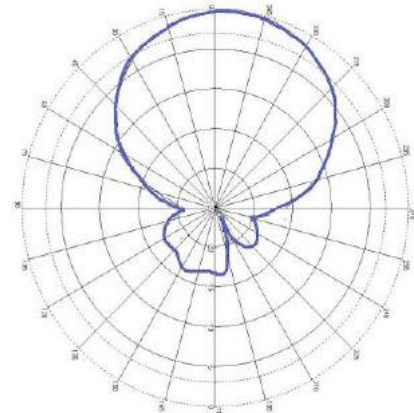


TSA5010

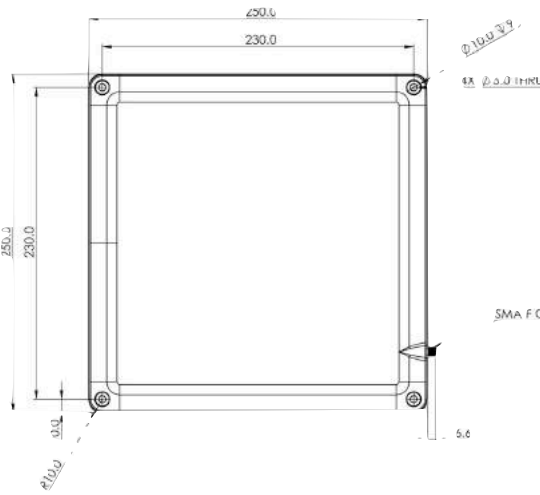
Specifications



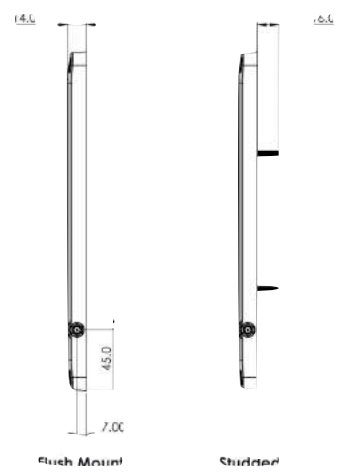
XZ - Plane



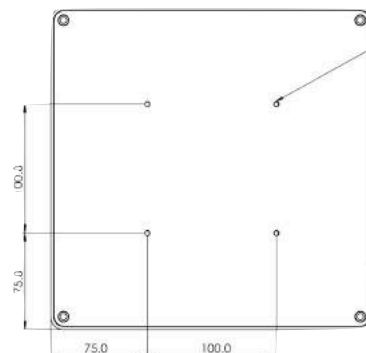
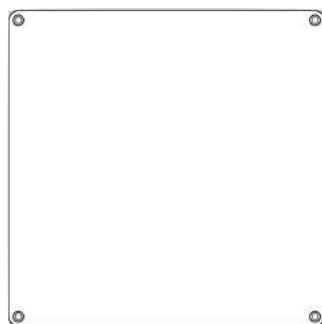
YZ - Plane



A5010 non-studded backplate - flush mount



A5010 studded backplate - VESA mount



4x M4 mounting studs
Standard VESA spacing

TechSigno srl is an independent company that build RFID system and intelligent objects for multimedia, industrial, transportation, medical, and wireless applications. Working closely with our customers, we meet the specific made-to-order demands of our customer to achieve maximum functionality, efficiency, reliability and therefore satisfaction.

TechSigno Srl
Via del Boschi, 2/13 - 33040 Pradamano (UD) - ITALY
T. +39 0432 603604 @ info@techsigno.com