

REDBAT

Compact Industrial Rain UHF Reader



REDBAT RFID is a family of products designed by Techsigno suitable for use in industrial environments.

The REDBAT UHF Version integrate the Impinj R500 technology. REDBAT UHF support the ISO18000-6C standard and is capable of working in the 865-867MHz (ETSI) and 902-928MHz (FCC) frequency ranges.

The power input in the 9-36Vdc range and RS485, Ethernet communication interfaces with M12 connectors and IP65 enclosure make them suitable for use in industrial environments.

Ease of use is then ensured by the SW suite supplied with the kit that allows the configuration of functional modes. The complete messaging documentation and the DLLs provided allow for quick and easy integration with third party applications.



RFID UHF



RS485



ETHERNET



REDBAT Specifications

Physical Characteristics	
Dimensions	Integrated Antenna: 62.9*100*33.8mm Externa Antenna: 62.9*106.5*33.8mm
Weight	250g
Material	Aluminium Alloy
Power Supply	9-36Vdc
Current	Standby 30mA Working 0.8A +/- 5% @ 12Vdc
Interfaces	RS232 / Ethernet 10/100TP
Optical Indicator	Power On Activity RFID Status

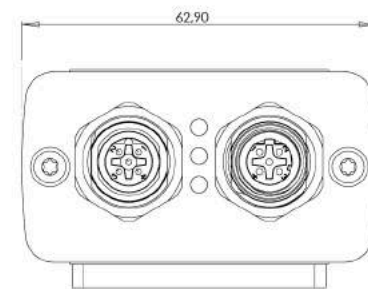
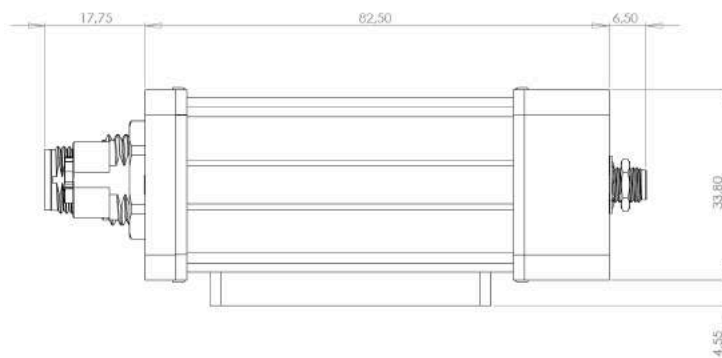
Performance	
Dimensions	Cortex M4 CPU

User Environment	
Operating Temp.	-40 °C to 60 °C
Storage Temp.	-40 °C to 85 °C
Humidity	10%RH - 95%RH non condensing
Sealing	IP50 per IEC sealing specifications
ESD	±15KV air discharge, ±4KV conductive discharge

RFID	
UHF	
Frequency	865MHz-868MHz / 920MHz-925MHz / 902MHz-928MHz
Protocol	EPC C1 GEN2 / ISO18000-6C
Antenna	Internal 1dBi Circular Polarization External on SMA Female connector
Power	10dBm to 23dBm adjustable
HF (Optional)	
Frequency	13.56MHz
Protocol	ISO14443A/B - ISO15693
Chips	M1 card (S50/S70), M0 (Ultralight), M3 (Desfire D40/D41/D81), CPU_A card, CPU_B card, ICODE II, TI2048, LRI64K, Others for customizations
Range	3-8cm

(*) HF RFID is alternative to UHF - Read/write Range and Reading Rates depend on tags and environments

Communication	
Serial	RS485 MODBUS Optionally IoLink
Ethernet	10/100 TP



TechSigno srl is an independent company that build RFID system and intelligent objects for multimedia, industrial, transportation, medical, and wireless applications. Working closely with our customers, we meet the specific made-to-order demands of our customer to achieve maximum functionality, efficiency, reliability and therefore satisfaction.

TechSigno Srl
Via dei Boschì, 2/13 - 33040 Pradamano (UD) - ITALY
T. +39 0432 603604 @ info@techsigno.com